



**KESTREL**  
ALUMINIUM SYSTEMS

# FOLDING SLIDING DOORS HOW TO OPERATE

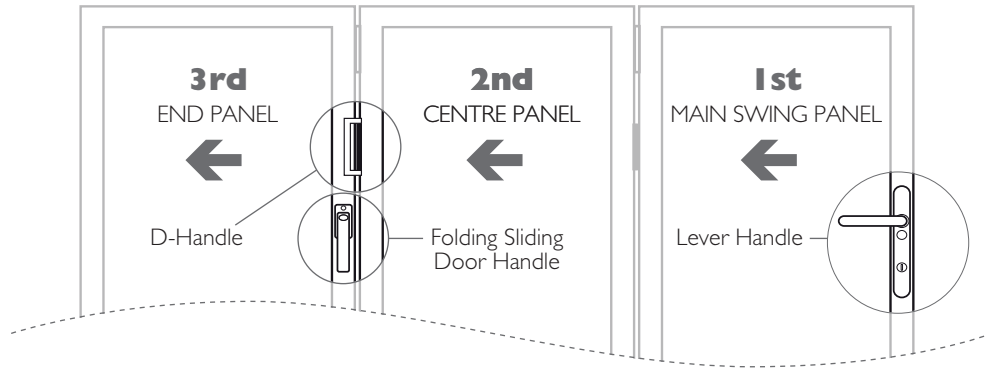




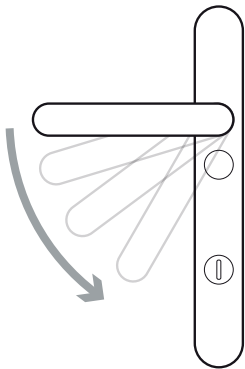
LOCKING:

**LEFT HAND STACKING** OUTWARD OPENING

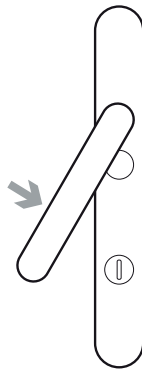
*Important—remove keys prior to folding open!*



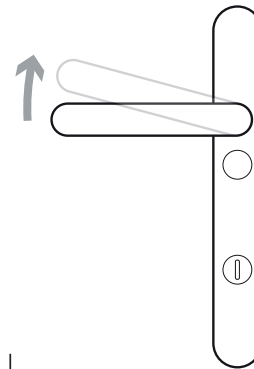
HOW TO OPERATE THE **LEVER HANDLE**



**1. To Open.**  
Use key, depress handle to dis-engage locks.

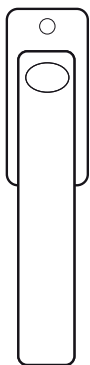


**2. To Open.**  
Keep handle depressed. Push to outward open.

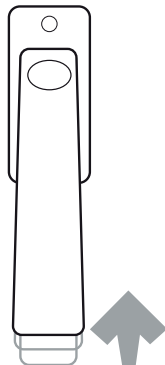


**3. Lock(ing) position.**  
Lift handle slightly to engage locks, use key.

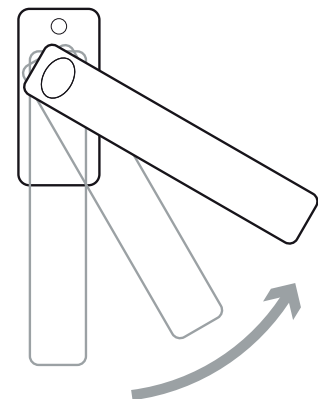
HOW TO OPERATE THE **FOLDING SLIDING DOOR HANDLE**



**Locked Position.**  
180 degrees flat.



**To Open.**  
Lift handle up.

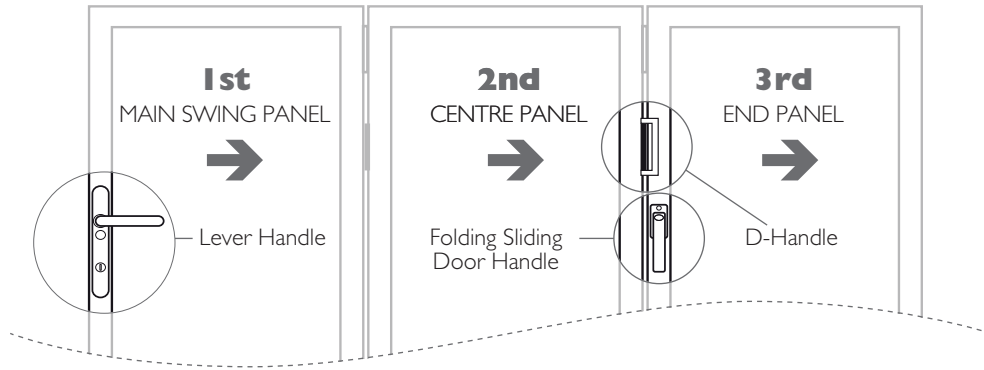


**Opening and Closing.**  
Turn handle anti-clockwise to disengage locks (45 degrees) and push out to open outward opening doors. Locking of the handle is a reversal of this procedure, but pull inward to close, ensuring D-handles are utilised to take the strain.

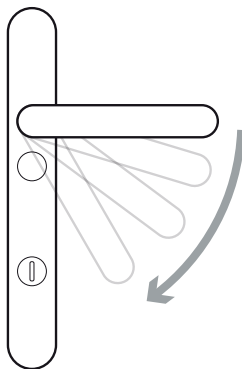
LOCKING:

**RIGHT HAND STACKING** OUTWARD OPENING

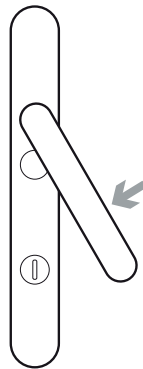
*Important—remove keys prior to folding open!*



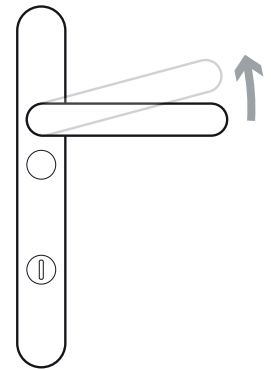
HOW TO OPERATE THE **LEVER HANDLE**



**1. To Open.**  
Use key, depress handle to dis-engage locks.

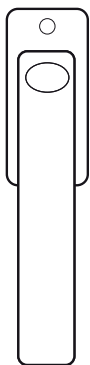


**2. To Open.**  
Keep handle depressed. Push to outward open.

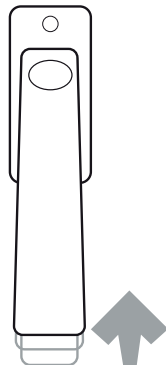


**3. Lock(ing) position.**  
Lift handle slightly to engage locks, use key.

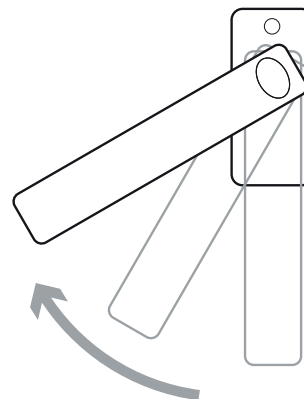
HOW TO OPERATE THE **FOLDING SLIDING DOOR HANDLE**



**Locked Position.**  
180 degrees flat.



**To Open.**  
Lift handle up.

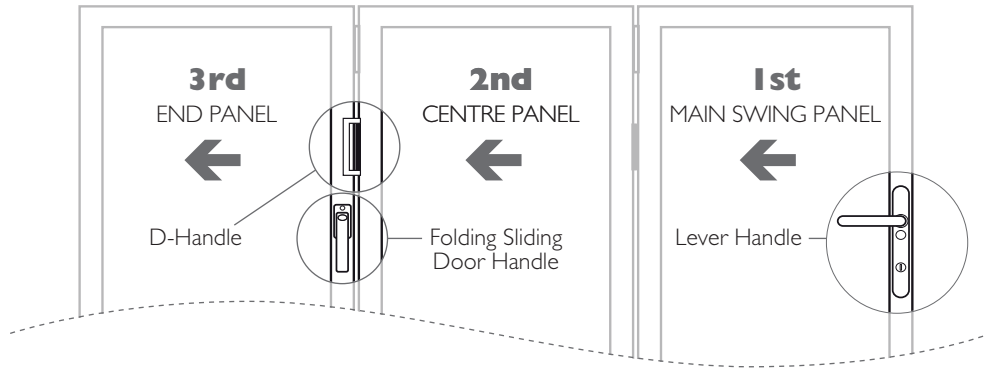


**Opening and Closing.**  
Turn handle anti-clockwise to disengage locks (45 degrees) and push out to open outward opening doors. Locking of the handle is a reversal of this procedure, but pull inward to close, ensuring D-handles are utilised to take the strain.

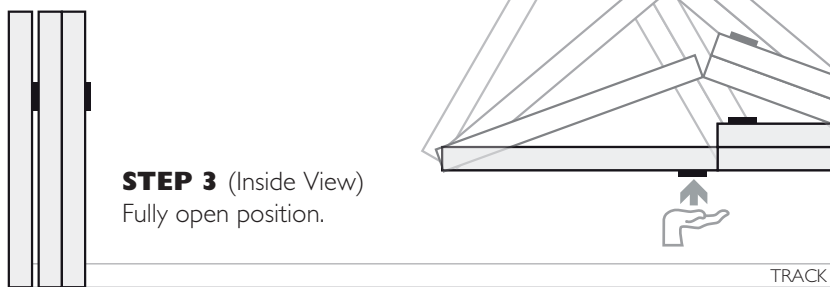
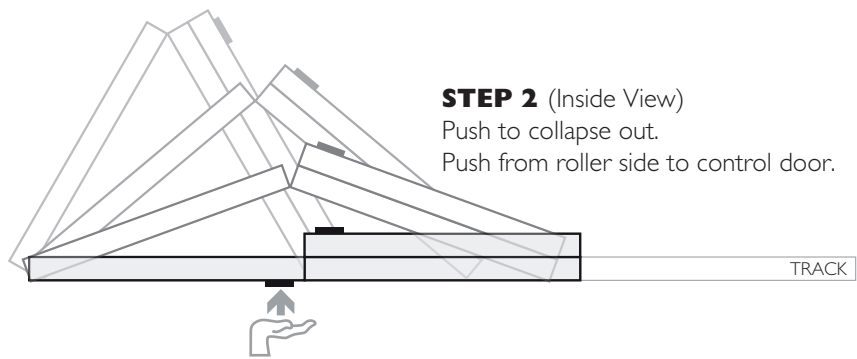
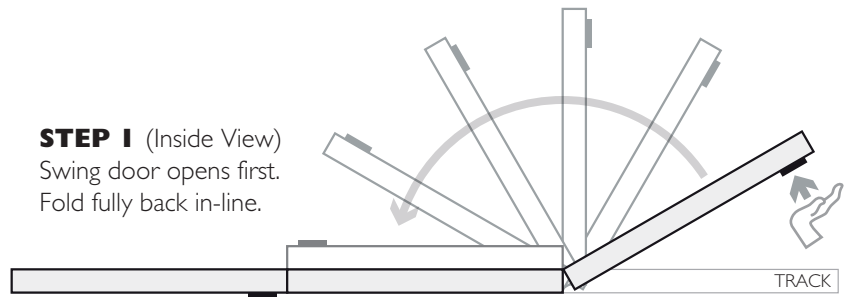
FOLDING:

**LEFT HAND STACKING** OUTWARD OPENING

*Important—remove keys prior to folding open!*

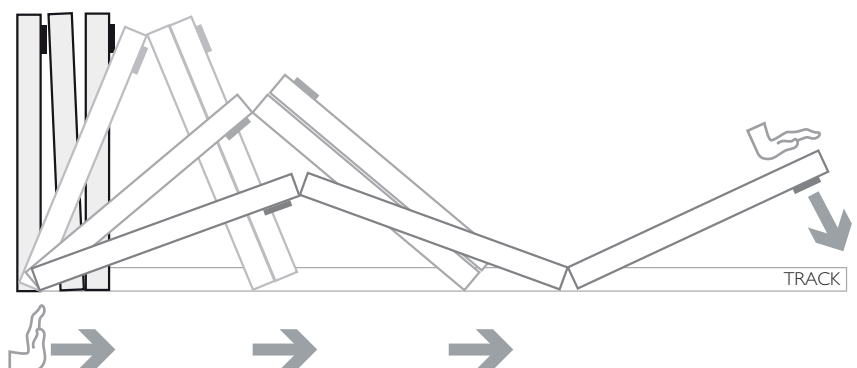


1. Starting from main swing panel, operate lever handle then outward open main swing panel in-line with adjacent centre panel.
2. Release folding sliding door handle(s) then push centre panel adjacent to end panel.
3. Fold all panels back against the wall for maximum opening.



**CLOSING** YOUR FOLDING SLIDING DOOR

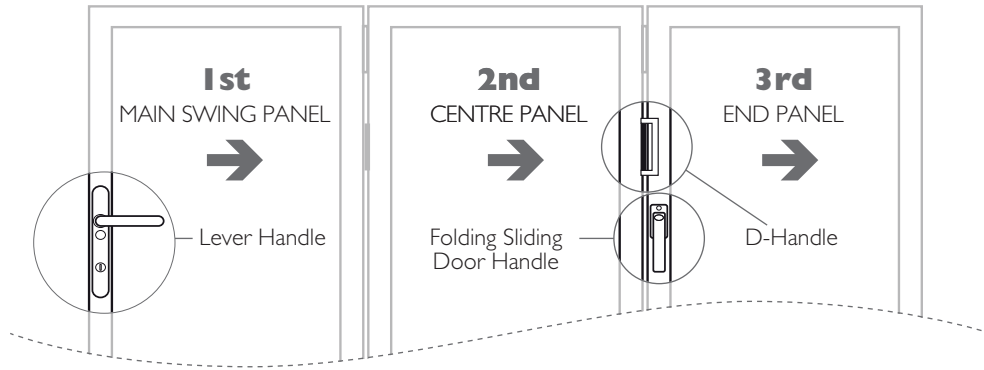
1. Hold panels 2 and 3 and walk in the direction of the track.
2. The rollers will ensure a smooth closure to the folding sliding door.
3. Close and secure the end swing panel.  
*LOCK BOTH THE LEVER HANDLE AND THE FLAT HANDLE.*  
*UTILISE THE D-HANDLE LOCATED ABOVE THE FLAT HANDLE WHEN CLOSING.*



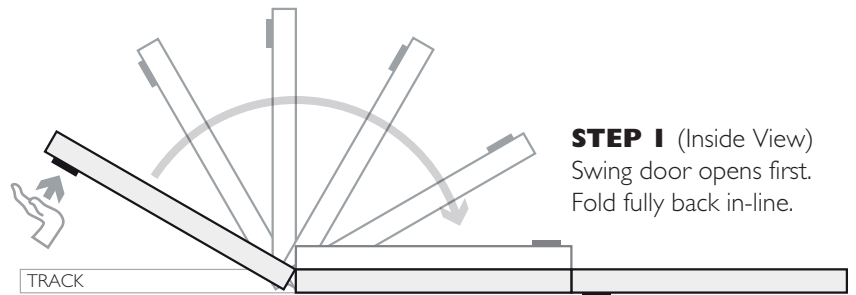
FOLDING:

**RIGHT HAND STACKING** OUTWARD OPENING

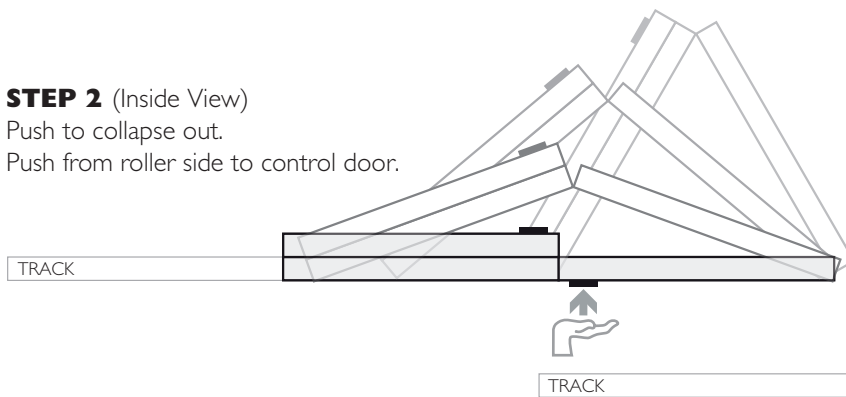
*Important—remove keys prior to folding open!*



1. Starting from main swing panel, operate lever handle then outward open main swing panel in-line with adjacent centre panel.
2. Release folding sliding door handle(s) then push centre panel adjacent to end panel.
3. Fold all panels back against the wall for maximum opening.



- STEP 2** (Inside View)  
Push to collapse out.  
Push from roller side to control door.

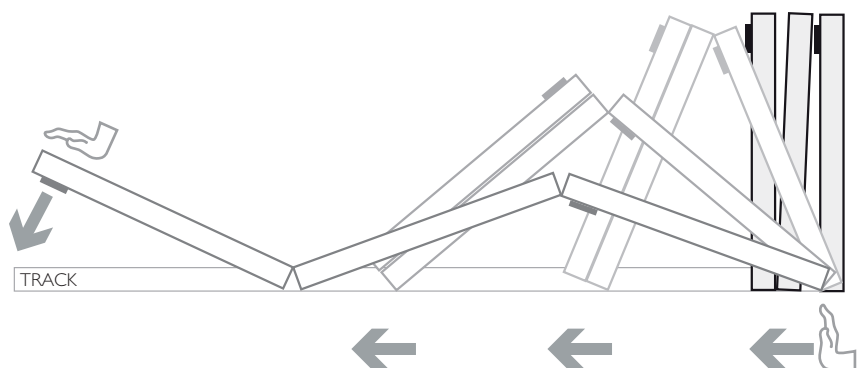


- STEP 3** (Inside View)  
Fully open position.



**CLOSING** YOUR FOLDING SLIDING DOOR

1. Hold panels 2 and 3 and walk in the direction of the track.
2. The rollers will ensure a smooth closure to the folding sliding door.
3. Close and secure the end swing panel.  
*LOCK BOTH THE LEVER HANDLE AND THE FLAT HANDLE.  
UTILISE THE D-HANDLE LOCATED ABOVE THE FLAT HANDLE WHEN CLOSING.*





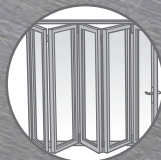


**Kestrel Aluminium Systems Ltd**  
180 Rupert Street, Aston, Birmingham, B7 5DT

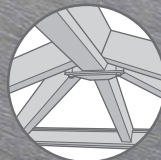
Tel: **0121 333 3575** • Fax: **0121 333 5335** • Email: [info@kestrelaluminium.co.uk](mailto:info@kestrelaluminium.co.uk)



**WINDOWS**



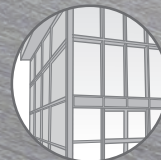
**DOORS**



**ROOFING**



**SHOPFRONT**



**CURTAIN WALL**

[www.kestrelaluminium.co.uk](http://www.kestrelaluminium.co.uk)



We operate a continuous development programme and we reserve the right to amend specification without prior notification. Please contact the technical department for further information. All copyright, trademarks and unregistered design rights for the products detailed in this brochure are the property of Kestrel Aluminium Systems Ltd.



Council for Aluminium  
in Building  
Member