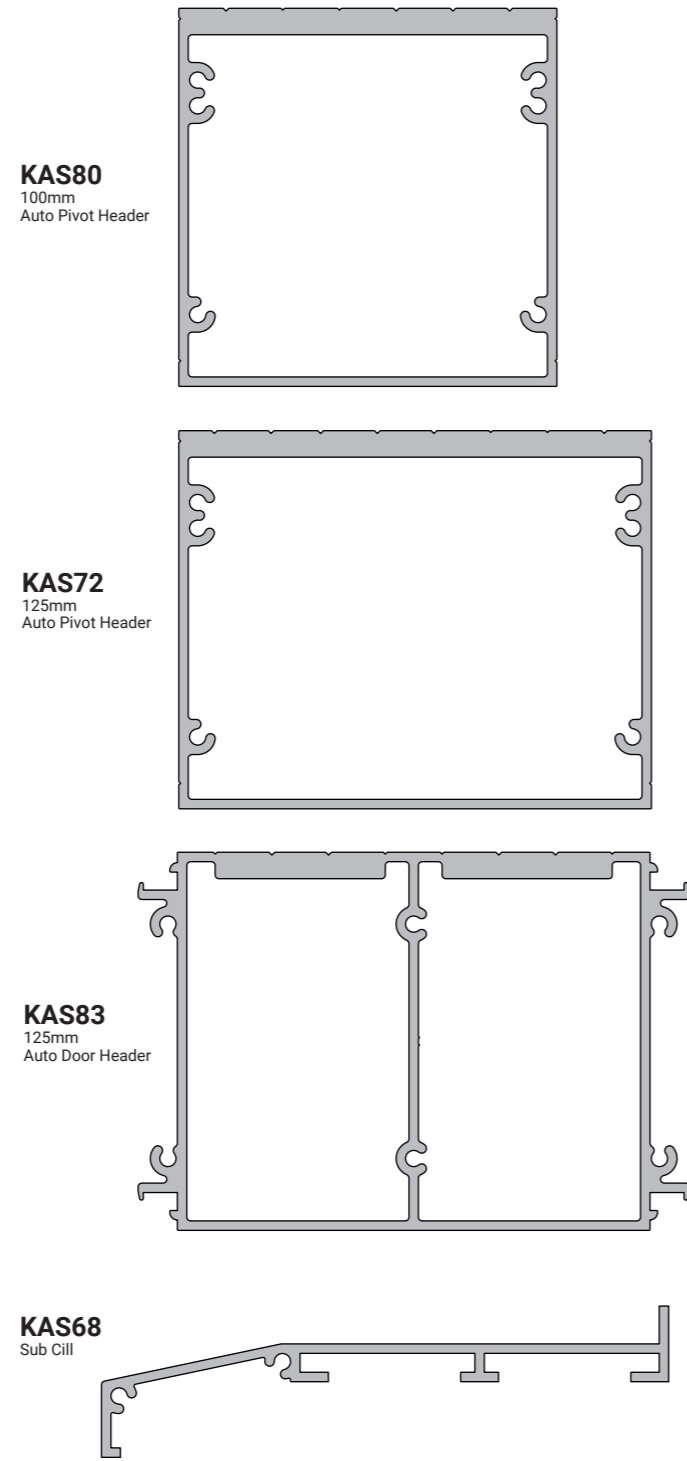
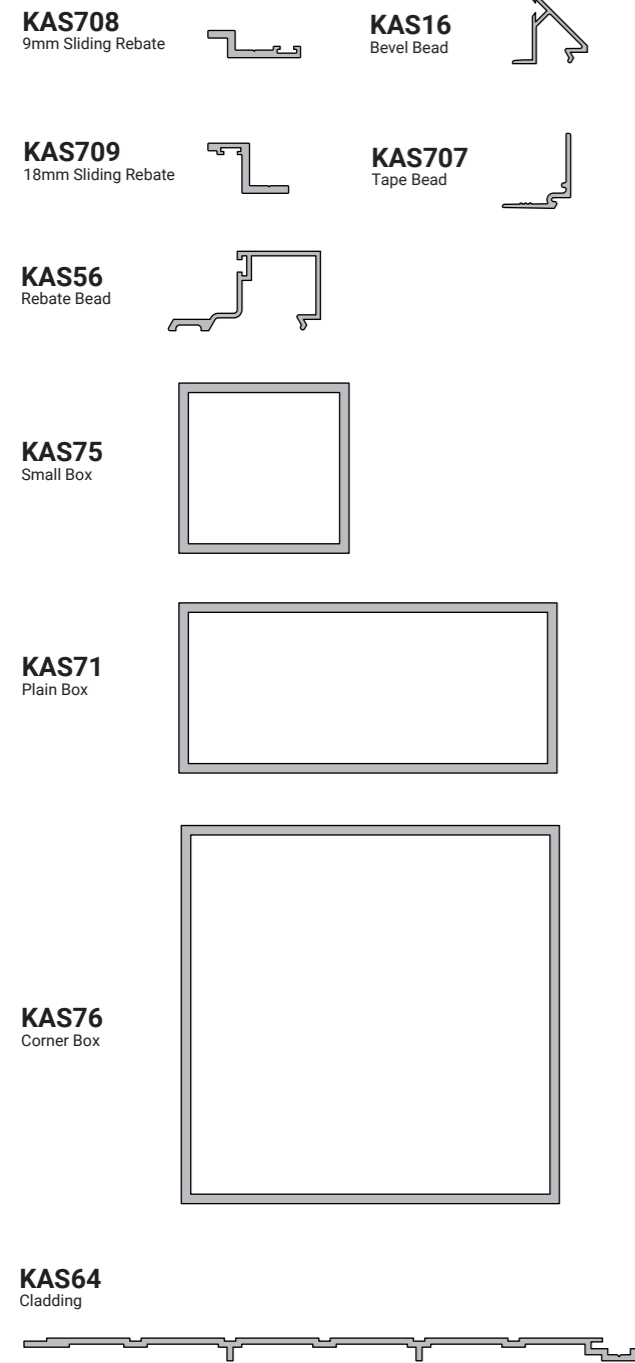
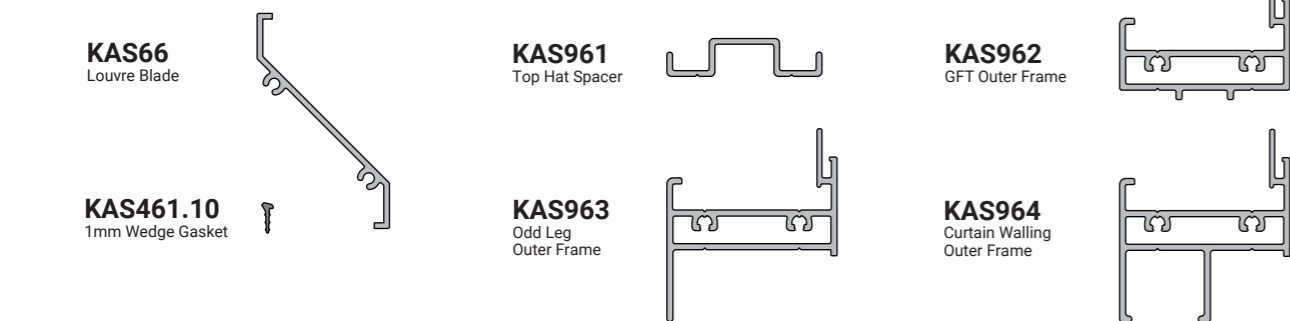


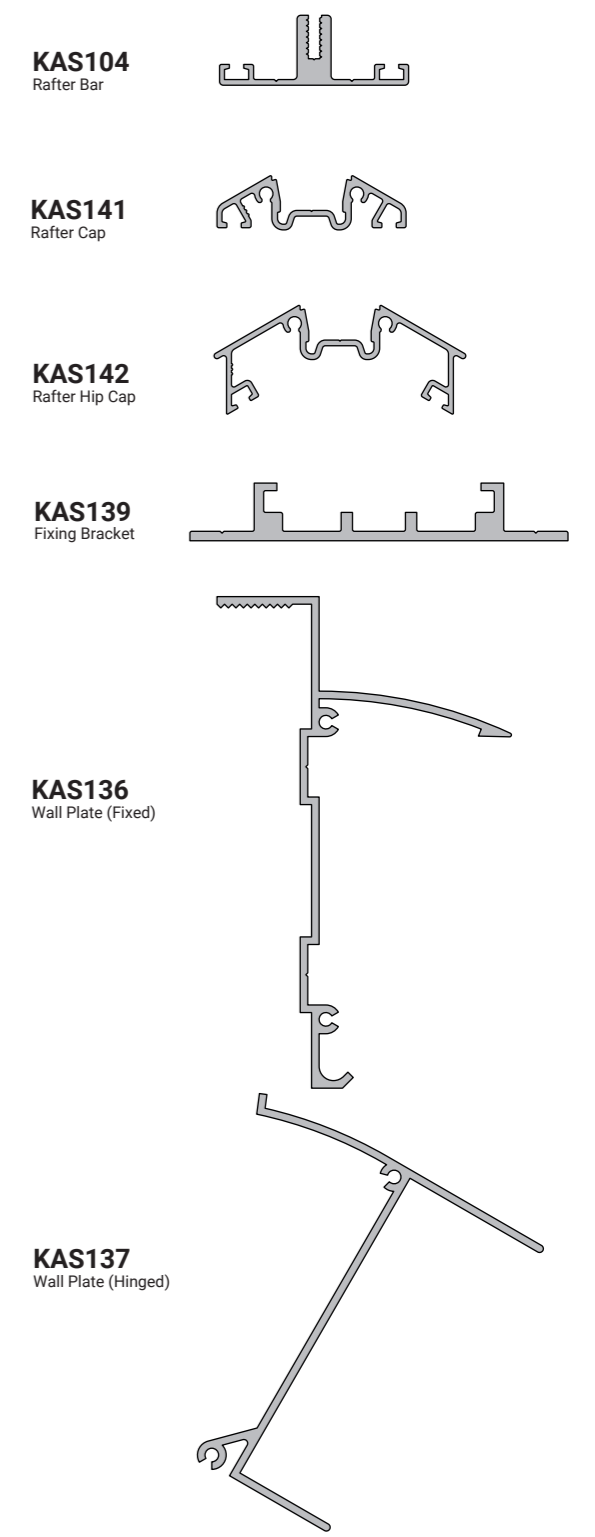
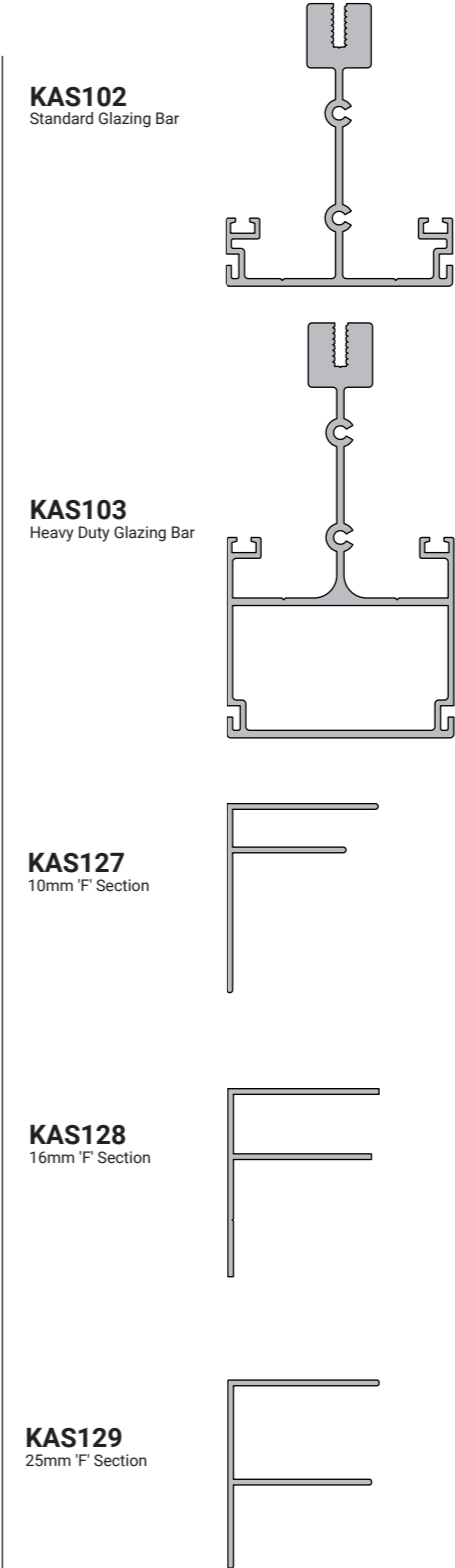
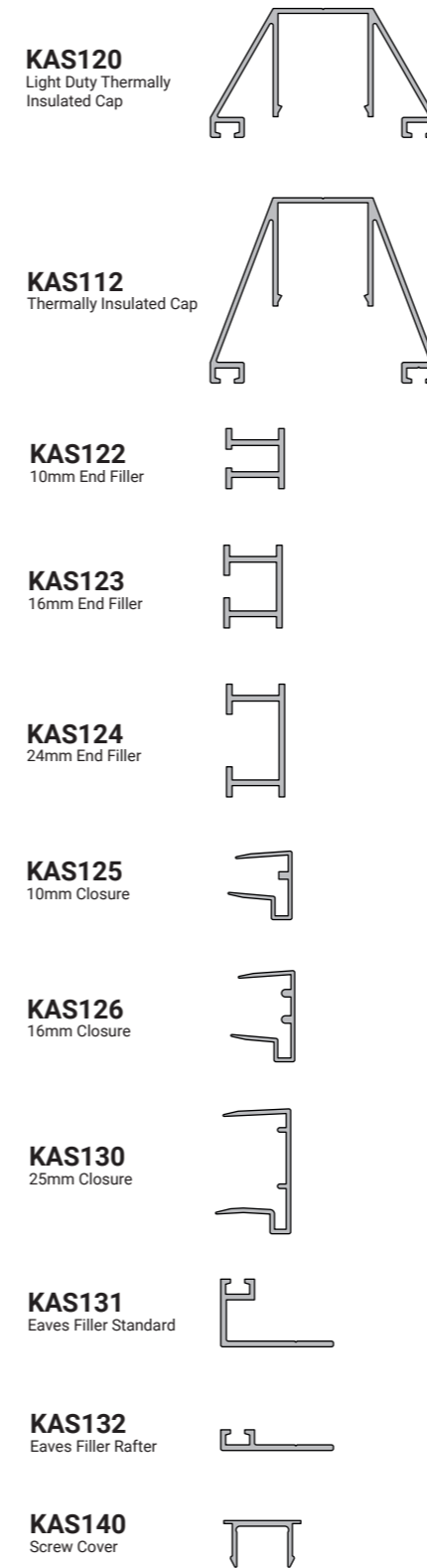
ALUMINIUM SECTIONS



LOUVRE PROFILES



GLAZING BAR PROFILES



GASKETS AND PVC SECTIONS



**GLAZING BARS, LOUVRES**  
AND MISCELLANEOUS COMMERCIAL

A3

SCALE: 1:2  
AUG 2022

Kestrel Aluminium Systems Ltd, 180 Rupert Street, Aston, Birmingham, B7 5DT  
Tel: 0121 333 3575 • Fax: 0121 333 5335 • Email: [Info@kestrelaluminium.co.uk](mailto:Info@kestrelaluminium.co.uk)  
[www.kestrelaluminium.co.uk](http://www.kestrelaluminium.co.uk)

We operate a continuous development programme and we reserve the right to amend specification without prior notification. All copyright, trademarks and registered design rights for the products detailed in this document are the property of Kestrel Aluminium Systems Ltd.