



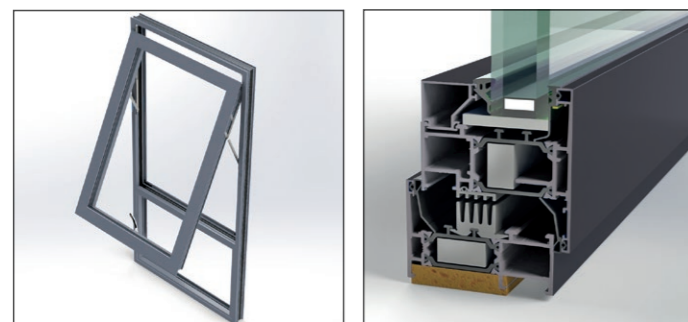
75mm Window System



bringing **light** into living



75mm Window System



The thermally efficient 75mm Window System is designed to meet high performance requirements in both commercial and domestic applications such as homes, schools, offices, healthcare and leisure facilities.

Window and glazing combinations can be specified to provide a U-value as low as 1.2W/m²K *. Options can be selected between modular thermal levels to enable compliance with project and regulatory requirements, with the benefits of value engineering.

The system is fully compatible with the full suite of Kestrel products and can be used in conjunction with the Curtain Walling and Thermal Framing Systems to offer a complete glazing solution.

*Based on standard 4-20-4 1.0W/m²K DGU, Swisspacer Ultimate, 1230 x 1480 operer next to fix as per approved Doc L requirements.

Design Options

- 24-32mm glazing infills
- Open out side hung and top hung
- Open in tilt before turn (tilt only and turn only)
- Glazed in, or glazed out fixed lights conforming to requirements of PAS24
- Modular thermal performance levels
- Cill options
- Single or dual colour

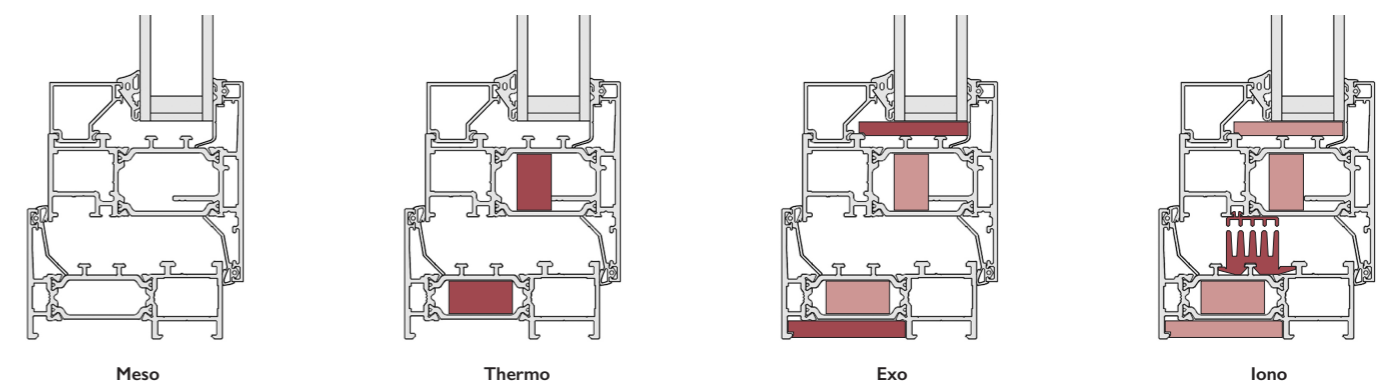
Performance

	Open Out Casement.	Open in / TBT.
• Air permeability	600pa / Class 4	600pa / Class 4
• Watertightness	600pa / 9a	1350pa / E1350
• Wind resistance	2000pa / Class 5	2000pa / Class 5

TECHNICAL SPECIFICATION

Application	Residential, new build and refurbishment.	
Window types	Open out side hung & top hung casements, open in tilt before turn, tilt only & turn only, fixed lights.	
Maximum sash sizes (weight)	Open Out Casement	Open In Tilt Before Turn
Top Hung	1686mm x 1550mm (100kg)	1436mm x 2436mm (150kg)
Side Hung	890mm x 1686mm (55kg)	1436mm x 2436mm (150kg)
Tilt Before Turn		1436mm x 2436mm (150kg)
Side Hung - Open In		
Bottom Hung - Open In		
Frame profiles	Profiles 75mm deep. Odd leg, Curtain Wall	
Corner post	90°	
Cills	Wide range including one piece & two piece options.	
Joining	Mechanical corner and transom/mullion joining	
Thermal Performance (U-Value)	Open Out Casement *	Open In Tilt Before Turn *
Modular Thermal Enhancements (see diagrams for Open Out Casement below)	Meso 1.5 Thermo 1.4 Exo 1.3 Iono 1.2	1.4 1.3 1.2
Performance (BS6375-1:2009)	Air permeability 600pa / Class 4 Watertightness 600pa / 9a Wind resistance 2000pa / Class 5	Air permeability 600pa / Class 4 Watertightness 1350pa / E1350 Wind resistance 2000pa / Class 5
Finishes	Mill finish Etched and anodised Silver AA25 or colours on request. Polyester powder coat paint. See our website for colour range available.	
Single or dual colour profiles	Option	
Glazing options	Will accept IGU and infill panels 24 – 32mm thick	
Hardware / Accessories	Concealed multi-point locking hardware - Open In Tilt Before Turn Bi-parting shoot bolt locking hardware - Open Out Casement Standard and Heavy Duty friction stays	
Handles	Locking – Black, White, Satin Chrome, Polished Chrome, Brushed Steel	
Trickle vents	EA2792 and EA4069	
Design standards	BS EN 12020-2 Aluminium and aluminium alloys, extruded precision profiles BS 3987 Specification for anodic oxide coatings BS EN 12206-1 Paints and varnishes, coating of aluminium and aluminium alloys BS 6375 1+A1 Performance of windows and doors. Classification for weathertightness BS 6375 2 Performance of windows and doors. Classification for operation and strength characteristics BS 6375 3+A1 Performance of windows and doors. Classification for additional performance characteristics PAS 24 Enhanced security performance requirements for doorsets and windows	

*Vent, mullion and fixed glazing, 1230mm W x 1480mm H with 1.0 w/m²k centre pane DGU, 4-20-4 Swisspacer Ultimate.



Meso

Thermo

Exo

Iono



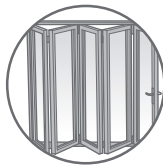
KESTREL
ALUMINIUM SYSTEMS

Kestrel Aluminium Systems Ltd
180 Rupert Street, Aston, Birmingham, B7 5DT

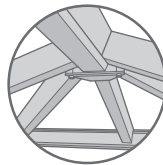
Tel: **0121 333 3575** • Fax: **0121 333 5335** • Email: **info@kestrelaluminium.co.uk**



WINDOWS



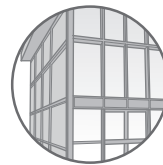
DOORS



ROOFING



SHOPFRONT



CURTAIN WALL

www.kestrelaluminium.co.uk



We operate a continuous development programme and we reserve the right to amend specification without prior notification. Please contact the technical department for further information.
All copyright, trademarks and registered design rights for the products detailed in this brochure are the property of Kestrel Aluminium Systems Ltd.

